



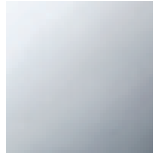
Sink - VAIA

Three-hole lavatory mixer with drain - polished chrome

Article number: 20 713 809-00 0010



- 6-5/8" Projection
- US drain with overflow
- Swiveling spout 360°
- Round aerated stream
- Total height 11"
- Height to aerator/spout outlet 7-1/2"
- Valve hole diameter 1-1/4"
- Spout hole diameter 1-3/8"
- Flange diameter 2-3/8"
- Water flow rate limited to max. 1.2 gpm
- lead-free
- (ADA)
- Suitable only for basins with overflow.



polished chrome



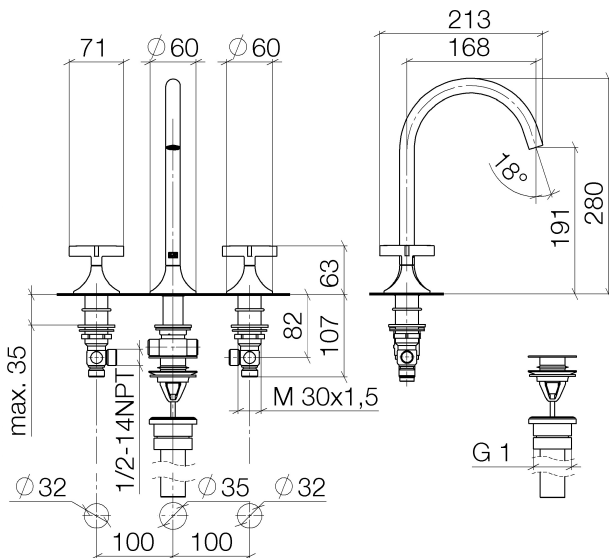


Sink - VAIA

Three-hole lavatory mixer with drain - polished chrome

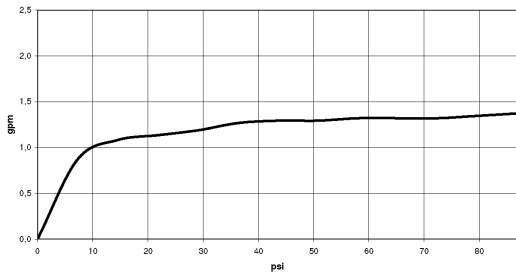
Article number: 20 713 809-00 0010

Dimensional drawing



All dimensions in mm / inch = mm x 0,0394

Flow rate chart





Sink - VAIA

Three-hole lavatory mixer with drain - polished chrome

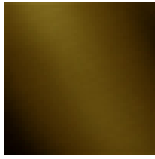
Article number: 20 713 809-00 0010

Other surface finishes



platinum matte

20 713 809-06 0010



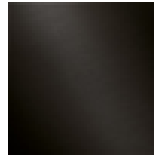
Dark Brass matte

20 713 809-16 0010



Dark Bronze matte

20 713 809-17 0010

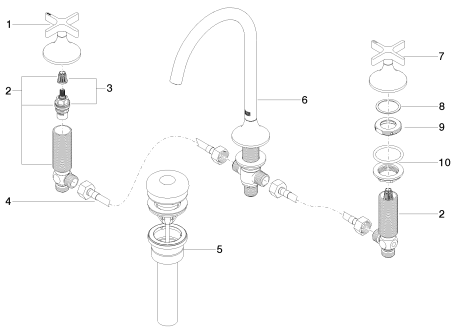


Dark Platinum matte

20 713 809-99 0010

More custom finish options are available via special production (xTra Service). Please see our finish matrix for availability and pricing or contact a Dornbracht representative.

Spare parts list



Number	Item Number	Designation	Number of units
<hr/>			
<hr/>			